

TC-nMD

Master Station with Selective Door Release

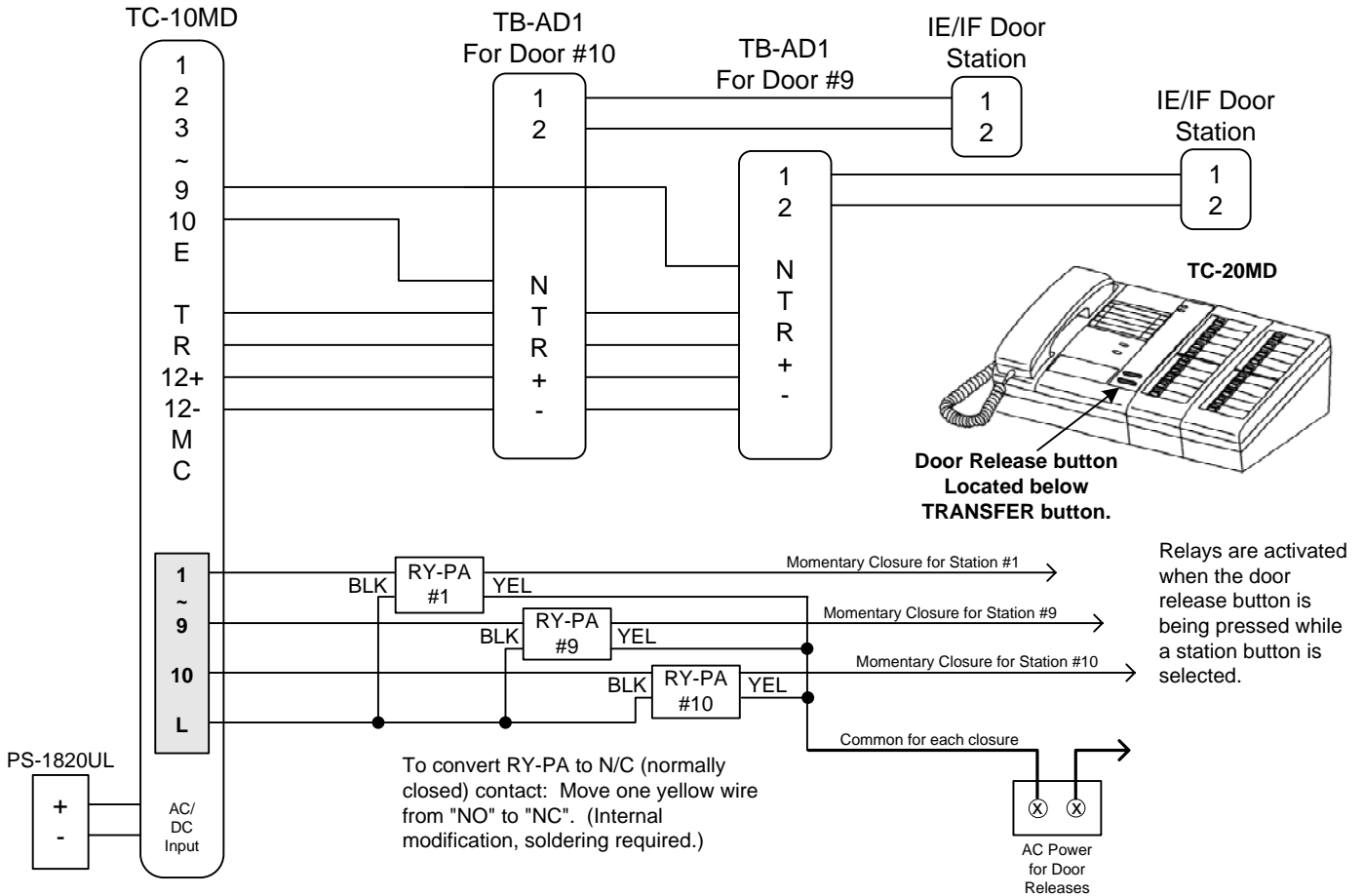
TC-10MD 10-Call Master

TC-20MD 20-Call Master

- SUPPLEMENT TO TC-M INSTRUCTIONS -

The TC-MD Intercom and Selective Door Control System is designed for communication between a central master station and remote door stations. *The TC-MD adds door release to the standard TC-M system.* All information regarding installation other than the external control functions is included in the TC-M instructions. In addition to communication to remote locations, the Master Station can selectively release the corresponding door strike or maglock.

WIRING DIAGRAM: SYSTEM USED FOR SELECTIVE DOOR RELEASE



Individual Components for System:

- TC-nMD Master station with selective contact output capability (10, 20)
- RY-PA Relay for selective output (1 per station requiring external contact)
- PS-1820UL 18V DC, 2A Power Supply
- TB-AD1 1 Audio Door Adaptor
- TB-AD10 10 Audio Door Adaptor
- TB-ADM10 10 Video Door Adaptor

IMPORTANT:

1. RY-PA must be used for each selective contact to isolate AC voltage from the intercom circuit.
2. Extra contact connections and L are on the external terminal block.

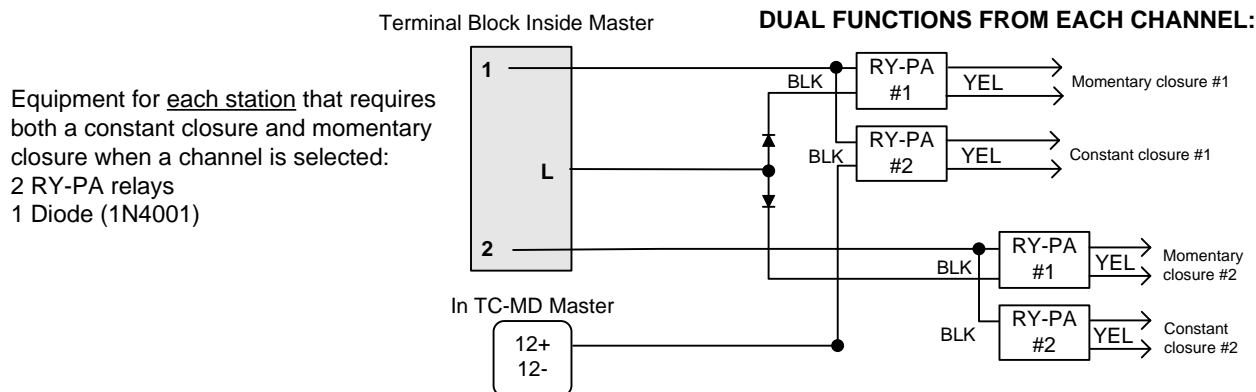
TC-MD TERMINAL DEFINITIONS:

- + Power input (18V DC or 16V AC)
- Negative
- 1-10 Station number
- E Common communication
- M,C Master-to-Master communication
- T Transmit to door station
- R Receive from door station
- S, S Output to call extension speaker

SEPARATE TERMINAL BLOCK LOCATED INSIDE MASTER:

- 1-10 (20) Selective negative for each channel
- L Common Positive output for selective closure

WIRING DIAGRAM: SYSTEM USED FOR DUAL FUNCTION OF EXTRA CONTACTS



OPERATION:

- * POWER SWITCH ON THE BACK OF THE MASTER MUST BE ON FOR SYSTEM TO BE OPERABLE.
- ** DOOR RELEASE BUTTON IS LOCATED BELOW THE "TRANSFER" BUTTON ON THE MASTER.

1. When a station calls in, pick up the handset and press the selector button corresponding to the lit LED.
2. Speak to the person at the remote station through the handset. The person at the remote station speaks hands free.
3. To release the door at the calling party's location, press the "door release" button while still in communication with the calling station. This will activate the corresponding relay as long as the button is being held, which will activate the door release mechanism.
4. If both selective door release and a constant closure are used on a channel, the device connected to the "constant closure" relay will be on as long as the channel is selected. The "momentary closure" will only be active when the door release button is pressed.
5. When the conversation is completed, hang up the handset.

SPECIFICATIONS

Power Source:	18V DC or 16V AC at master. Use PS-1820UL or 16V AC Transformer (Not supplied by Aiphone) or AC Transformer (16V AC, 10VA or greater).
Communication:	Handset at master Hands free at sub station
Calling:	Master to sub: By voice only. Sub to master: Call button on sub activates tone and LED at master
Wiring:	2 conductors homerun from door to door station adaptor. Four (4) common wires plus one (1) individual wire per station from door adaptor to Master. Use Aiphone #812202 (2 cond., 22AWG) or #812206 (6 cond., 22AWG) wire.
Wiring Distance:	
Door to Adaptor:	500' with 22AWG; 1,200' with 18AWG.
Adaptor to Master:	210' with 22AWG; 495' with 18AWG.

***For additional information about this system,
please refer to the TC-M instructions.***